

 **First in Quality. Built to Last.**



\*VSA1721

## **AUTO L-SEALER VALUE SERIES**

### **MODELS**

VSA1721, VSA2530

### **BUILT RIGHT...PRICED RIGHT**

Proven reliable over and over again, these intermediate level EASTEY Automatic L-Sealers provide you with all the quality features found in much higher priced machines. They are designed and built to give you all the performance features needed for positive sealing a wide variety of films including polyolefin, polyethylene, and PVC.

### **PROVEN RELIABILITY, EFFICIENT DESIGN**

Designed specifically for entry-level or intermediate applications that require simple operation, small footprint, or a limited budget, Eastey's Value-Series Automatic L-Sealers will handle the day to day abuse required for automatic sealing.

## **RELIABLE AUTOMATIC L-SEALING**

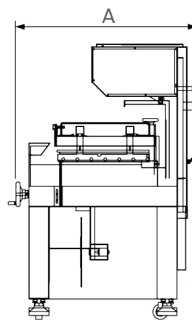
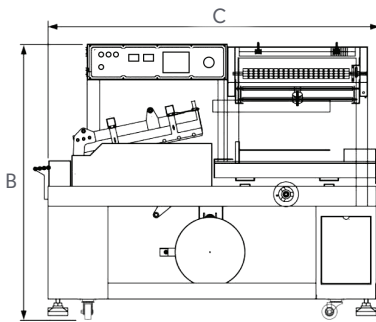
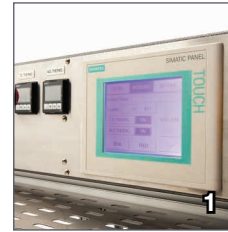
EASTEY Value Series Automatic L-Sealers offer the durability and functionality needed to handle a variety of applications efficiently.

### **STANDARD FEATURES**

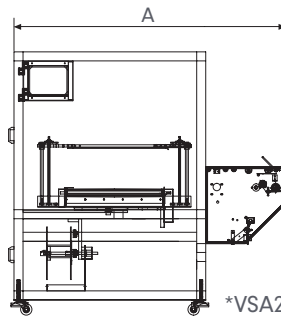
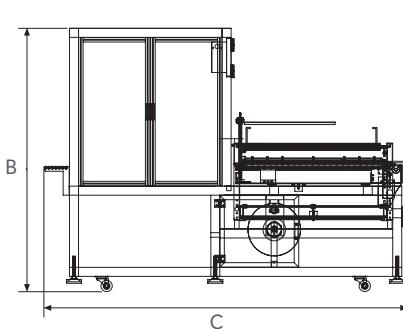
- Designed to seal most polyolefin, polyethylene, and PVC shrink films
- All-welded main frame from 12 gauge steel
- Normal speed infeed and outfeed conveyors
- High speed with product indexing
- Motorized seal height adjustment for various product sizes
- Seal head equipped with pneumatic air cylinder for automatic sealing
- Hot knife seal bar for consistent and clean seal
- Consistent pressure across seal bar
- Automatic cycle timing with adjustable dwell time
- HMI controller with simple menus for easy operation
- Film tracking wheels keep film in place
- Multiple pin perforator provides precise air evacuation
- Heavy duty casters for transportation within plant
- Leveling legs provide sturdy base once in place
- VSA1721 features a 17"W x 21"L seal area
- VSA2530 features a 25"W x 30"L seal area
- Scrap unwind automatically wraps up the scrap film left from the sealer
- Easy to use design requires minimal training and maintenance
- VSA1721 maximum film width up to 22"
- VSA2530 maximum film width up to 25"
- Maximum film roll OD up to 12"
- 80 psi
- Available in 220v



\*VSA2530



\*VSA1721



\*VSA2530

**1. VSA1721 HMI**

User interface features simple menus for easy operation and adjustments required for a variety of applications

**2. VSA2530 HMI**

User interface features simple menus for easy operation and adjustments required for a variety of applications

**3. Pin Perforator**

Adjustable pin perforator provides air evacuation in the film for clean and tight film shrinkage

**4. Roller Exit Tabler**

Provides a smooth transition from the seal area to the shrink tunnel

| MODEL NUMBER | MACHINE DIMENSIONS |           |           | FILM WIDTH | CONVEYOR HEIGHT |       | STANDARD POWER |      |       | WEIGHT   | SHP WT.  |
|--------------|--------------------|-----------|-----------|------------|-----------------|-------|----------------|------|-------|----------|----------|
|              | WIDTH(A)           | HEIGHT(B) | LENGTH(C) |            | MIN             | MAX   | VOLTS          | AMPS | PHASE |          |          |
| VSA1721      | 45"                | 58"       | 72"       | 22"        | 31.5"           | 34"   | 220            | 10   | 1     | 1000 lbs | 1100 lbs |
|              | 114 cm             | 147 cm    | 182 cm    | 55 cm      | 80 cm           | 86 cm |                |      |       |          |          |
| VSA 2530     | 71"                | 69"       | 95"       | 25"        | 33.5"           | 36"   | 220            | 15   | 3     | 1100 lbs | 1200 lbs |
|              | 181 cm             | 175 cm    | 242 cm    | 64 cm      | 85 cm           | 91 cm |                |      |       |          |          |



7041 Boone Avenue North, Brooklyn Park, MN 55428  
 (763) 428-4846 1 (800) 835-9344  
 www.eastey.com info@eastey.com

