

Morgana Systems Ltd
3909 Upland Way, Marietta
GA 30066 Georgia
USA
Tel: 866 463 5060
Fax: 770 565 6163
www.morganausa.com
morganausa@comcast.net



DocuCrease 35/52

Quality blade and matrix creasing, with a price and performance geared to the needs of the smaller or inplant printer.

The Morgana DocuCrease is an innovative product designed and manufactured by Morgana to further complement our range of Document Finishing Machines.

Creasing versus Scoring.

Traditional rotary scoring machines use circular blades that are in constant motion as the stock passes through them. This creates a ploughing action that actually cuts through the top fibres of the paper or card in order to create a score. Inevitably this weakens the paper and encourages cracking. In contrast, the Morgana DocuCrease employs a unique creasing rule and matrix as illustrated overleaf, that eliminates tearing and, therefore, cracking.

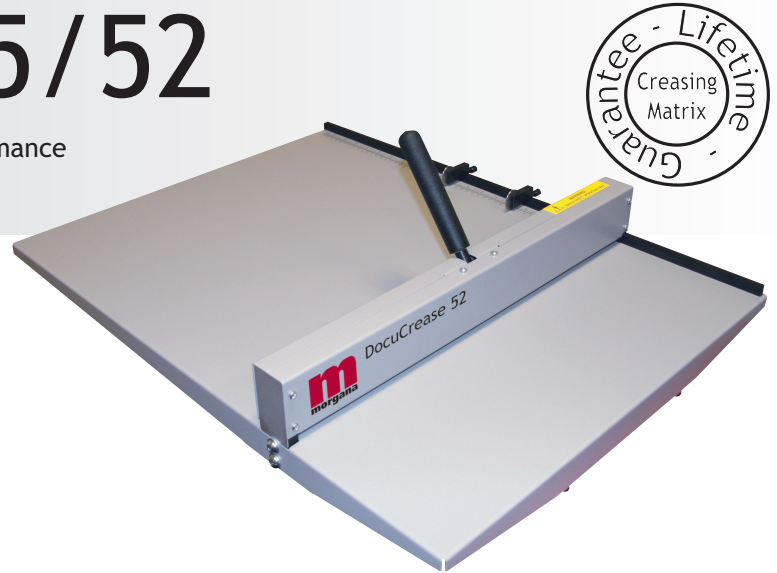
Key Product Features

- **Fast & easy to setup**
- **Takes stock up to 0.015" (approx 150lb cover)***
- **Rule and matrix guaranteed for life**
- **Left or right handed operation**
- **Heavy duty**
- **35cm or 52cm sizes**
- **Crease without cracking**

Available in two width sizes, 35cm or 52cm, the DocuCrease is solidly constructed to give years of trouble-free use. Both models offer many unique features and are ideally suited for short to medium creasing volumes.

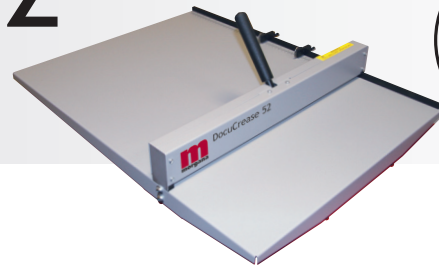
The DocuCrease has two adjustable backstops for multiple creases on the same cover or for repeat jobs (additional backstops can be supplied). Fast, easy set-up with indicator scales showing the position of the creases.

This creasing action is a process proven to eliminate cracking of the most difficult materials. Applications such as creasing glossy covers, stocks or materials with the grain running in the wrong direction prior to folding or booklet-making, cover stocks that have been produced by litho or digital printing processes using toner or ink, xmas or greeting cards, invitations, menus, laminates or covers prior to thermal adhesive binding.



DocuCrease 35/52

Quality blade and matrix creasing, with a price and performance geared to the needs of the smaller or inplant printer.



technical specifications

DocuCrease 35

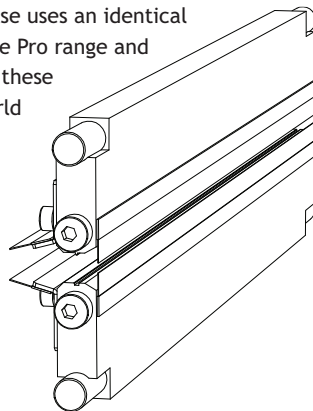
Maximum crease (to backstop)	L 14.1" x W 13.7"
Minimum crease (to backstop)	L 0.98"
Maximum paper thickness	0.015" (approx 150lb cover)* including laminated material
Minimum paper thickness	0.004" (approx 20lb bond)*
Dimensions	L 23.6" x W 15" x H 4.7"
Weight	29 lb

DocuCrease 52

Maximum crease (to backstop)	L 20" x W 20"
Minimum crease (to backstop)	L 0.98"
Maximum paper thickness	0.015" (approx 150lb cover)* including laminated material
Minimum paper thickness	0.004" (approx 20lb bond)*
Dimensions	L 29.5" x W 21.8" x H 4.7"
Weight	37.4 lb

Note: the production speed varies according to material size and the number of creases on the sheet

Creasing rule and matrix. The DocuCrease uses an identical mechanism to that on the more expensive Pro range and is guaranteed for life. With thousands of these mechanisms installed throughout the world our creasing technology is unparalleled in both performance and longevity.



*Disclaimer

As part of our continued product improvement plan, specifications and information published here are subject to change without notice. All specifications are dependent on application, type of stock, temperature, RH and print engine used. Specifications quoted were measured on uncoated and unprinted stock. E & OE.