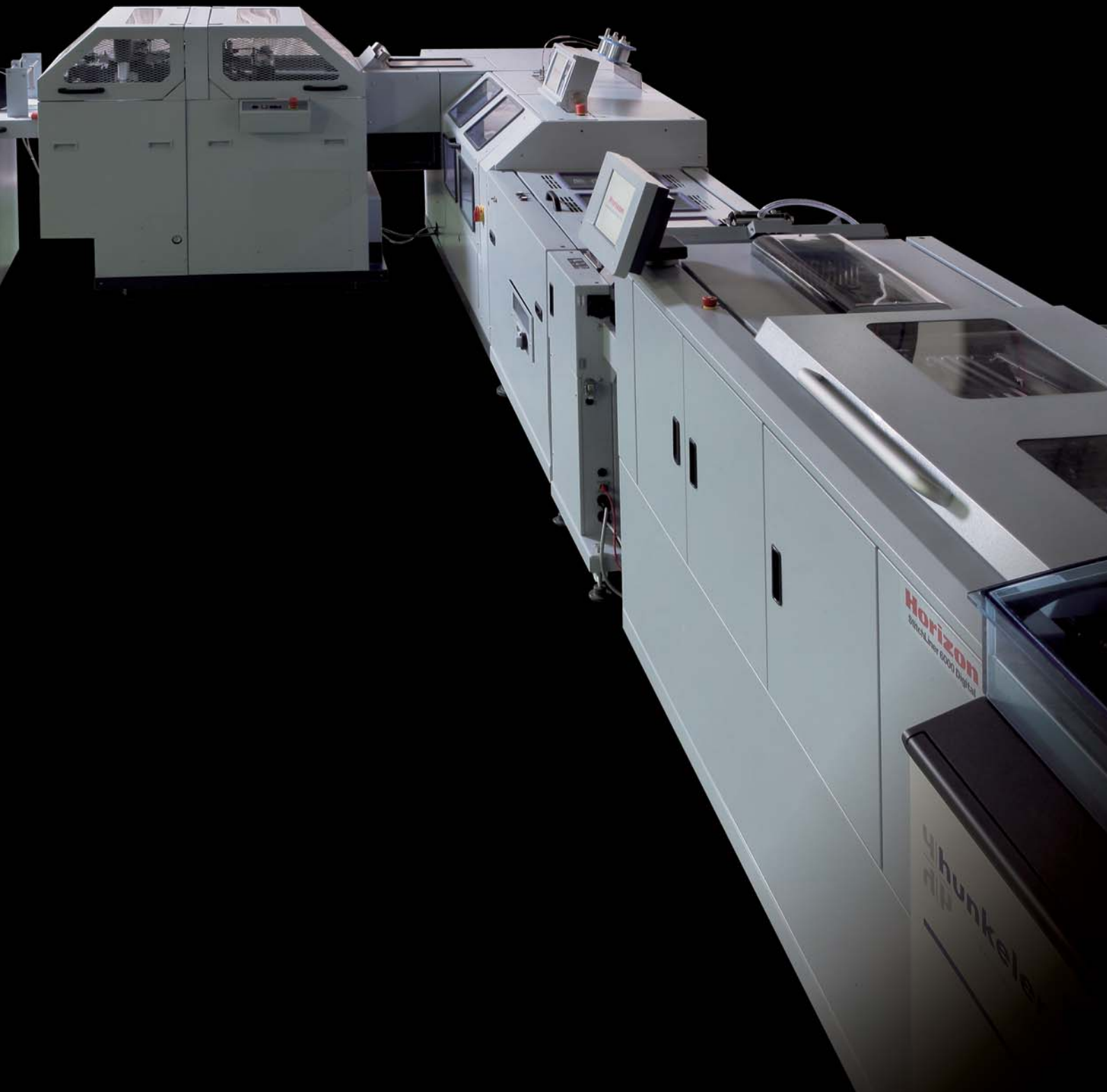
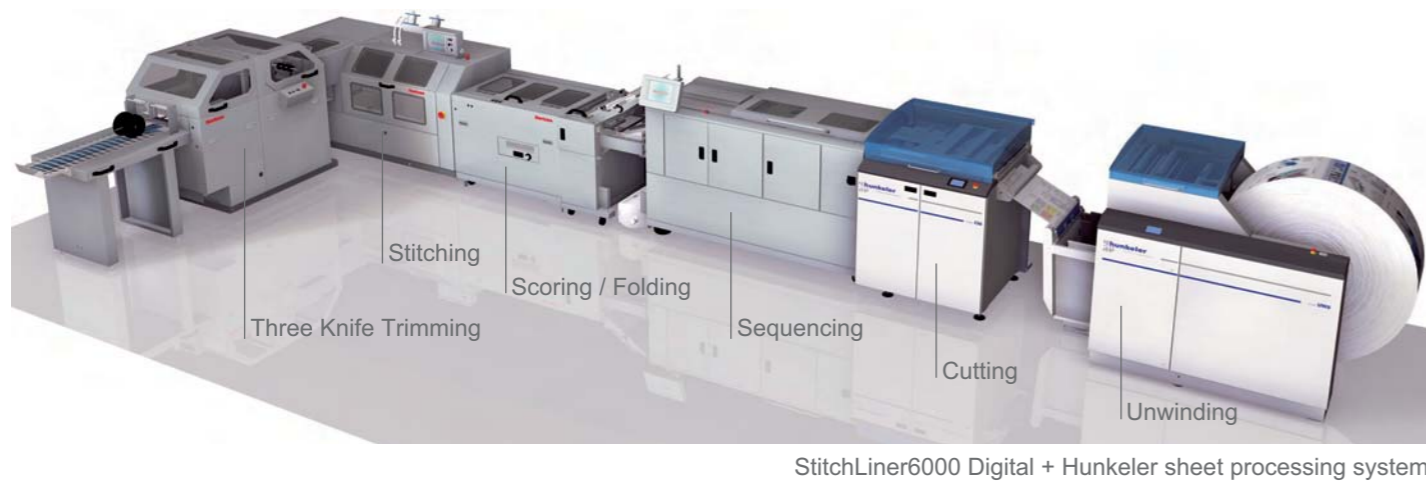


**Horizon**

# Roll to Booklet Solution



The StitchLiner6000 Digital is the most productive and easy to use in-line saddle stitcher in its class.



## Benefits

### High Productivity:

High speed production --up to 6,000 booklets per hour-- is achieved with an advanced sheet sequencing module and high speed saddle-stitching system.

### Quality Booklets:

Accurate folding, precise stitch placement and clean three-side trimming are applied to produce a high-quality finished booklet.

### Advanced Interface:

Advanced intelligent interface minimizes system error down time and spoilage. This also simplifies system operation and maximizes overall productivity.

### Flexible Feeders:

Up to two Intelligent and flexible vacuum cover feeders can be added for simple cover feeding or sheet inserting to handle a wide range of applications.

### JDF Workflow:

System can be enhanced with JDF workflow from upstream to the postpress using Horizon network flow system.

## Suitable Markets

### Applications

- One to one personalized applications
- Education
- Leaflets
- Direct mail
- Transpromo
- Financial printing

### Industry Segments

- Commercial print
- Financial services
- Health care
- Government
- Marketing and advertising



CF-30S : Cover Feeder (Option)

## Features

### Easy Operation:

Easy and intuitive operation is achieved with touch screen control. No specialized operator skill is needed to set up and operate the system.

### High Speed:

Maximum production speed is 6,000 booklets/hour (depending on application). An advanced interface minimizes the upstream system slowdown.

### High Quality Finish:

Professional quality finished booklets are assured with renowned StitchLiner technology. Sheets are plow folded, stitched and three knife trimmed to form crisp, tight finished booklets.

### Automatic Setup:

State of the art automation is employed for precise settings. Simply input the sheet size and the system sets up end-to-end automatically.

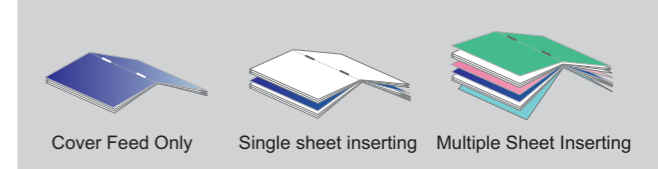
### Variable Data Handling:

Personalized and variable page count applications can be handled. The in-line configuration insures sheet-to-sheet integrity.

### Flexible Insertion:

An intelligent cover feeder enables flexible insertion of up to 5 sheets plus cover anywhere in the booklet.

Sheets or a cover can be inserted from the cover feeder.



## Configurations

### System Configuration

The system consists of 4 main units. Several options are also available to handle specific applications.

### AS-30S : Advanced Sequencing Module

A four-stage buffering section synchronizes the speed of the roll cutter and the saddle stitching unit.

### ACF-30S : Accumulator & Folder

Sheets are scored and plow folded to form crisp, tightly folded booklets.

### SPF-30S : Saddle Stitcher

Folded sheets are accumulated on the saddle, perfectly jogged, and accurately stitched.

### HTS-30S : Three Knife Trimmer

Professional-quality three-knife trimming applies the final finish. A center-cut option enables two-up production.

### CF-30S : Cover Feeder (Option)

One or two modular cover feeding stations can be added, to insert up to 5 sheets plus cover anywhere in the booklet.

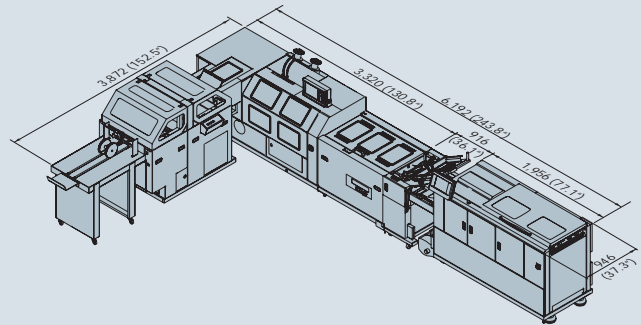
## StitchLiner6000 Digital Specifications

Sheet Size	Max. 350(W) x 500(L) mm (13.7" x 19.6") Min. 210(W) x 279.4(L) mm (5.6" x 7.9")	
Sheet Weight Range	Normal Paper: 52 to 209 gsm Coated Paper: 73 to 209 gsm	
Web Speed	Max. 180 m (590ft) / min.	
Stitch Thickness	Min. Two Sheets Max. 5 mm (0.19") (Booklet thickness: 10 mm or 0.39") For loop stitching, Max. 3 mm (0.11") of booklet thickness.	
Stitch Distance	Min. 66 mm (2.6") Max. 150 mm (5.9") Up to two additional stitcher heads can be added.	
Size Before Trimming	Max. 350 (Top-bottom) x 250 (Fore-edge) mm (13.7" x 9.8") Min. 210 (Top-bottom) x 139.7 (Fore-edge) mm (8.3" x 5.5")	
Trim Width	Min. 2 mm (0.08") Max. 25 mm (0.98") (When center-cut is performed, the width is limited to a half of the center-cut width.)	
Center-cut Width	6 mm, 8 mm or 0.25"	
Booklet Size (after trimming)	Max. 340 (Top-bottom) x 230 (Fore-edge) mm (13.3" x 9.0") Min. 160 (Top-bottom) x 114.7 (Fore-edge) mm (6.3" x 4.6") When center-cut is performed Max. 167 (Top-bottom) x 220 mm (Fore-edge) mm (6.5" x 8.6") [6 mm width center-cut]	
Sheet Sizes for Cover Feeder	Max. 350(W) x 500(L) mm (13.7" x 19.6") Min. 140(W) x 199(L) mm (5.6" x 7.9") Normal Paper : 81 to 270 gsm Coated Paper : 85 to 300 gsm	
Sheet Weight Range for Cover Feeder	For feeding six-page signatures and eight-page signatures, 10 mm (0.4") gap between sheet edges is required at least.	
Sheet Stack Height	Max. 30mm (1.1") Sheets can be loaded while running.	
Production Speed	Max. 6000 booklets / h (A3, one block, up to 6 sheets) Min. 2400 booklets / h (A3, 12 sheets, two block)	
Voltage/Frequency	AS-30S	Single Phase 200 V, 50 / 60 Hz Single Phase 220 V, 50 / 60 Hz Single Phase 230 V, 50 / 60 Hz Single Phase 240 V, 50 / 60 Hz
	CF-30S	3-Phase 200 V, 50 / 60 Hz 3-Phase 208 V, 60 Hz 3-Phase 220 V, 50 / 60 Hz 3-Phase 240 V, 50 / 60 Hz
	ACF-30S / SPF-30S / HTS-30S	3-Phase 200 V, 50 / 60 Hz 3-Phase 220 V, 50 / 60 Hz 3-Phase 400 V, 50 / 60 Hz
Power Consumption	AS-30S	200 V, 50 / 60 Hz, 420 / 410 W 220 V, 50 / 60 Hz, 430 / 420 W 230 V, 50 / 60 Hz, 420 / 420 W 240 V, 50 / 60 Hz, 420 / 420 W
	CF-30S	200 V, 50 / 60 Hz, 1,900 / 2,700 W 208 V, 60 Hz, 2650 W 220 V, 50 / 60 Hz, 1,930 / 2,610 W 240 V, 50 / 60 Hz, 2,010 / 2,610 W
	ACF-30S / SPF-30S / HTS-30S	200 V, 50 / 60 Hz, 2,300 / 2,200 W 220 V, 50 / 60 Hz, 2,200 / 2,200 W 400 V, 50 / 60 Hz, 2,200 / 2,200 W
Rated Current	AS-30S	200 V, 50 / 60 Hz, 3.3 / 3.2 A 220 V, 50 / 60 Hz, 3.0 / 2.8 A 230 V, 50 / 60 Hz, 2.8 / 2.7 A 240 V, 50 / 60 Hz, 2.7 / - A
	CF-30S	200 V, 50 / 60 Hz, 6.9 / 8.6 A 208 V, 60 Hz, 8.2 A 220 V, 50 / 60 Hz, 7.1 / 7.9 A 240 V, 50 / 60 Hz, 7.9 / 7.6 A
	ACF-30S / SPF-30S / HTS-30S	200 V, 50 / 60 Hz, 7.7 / 7.0 A 220 V, 50 / 60 Hz, 6.7 / 6.6 A 400 V, 50 / 60 Hz, 3.6 / 3.5 A
Machine Weight	AS-30S: 464 kg (1,023 lbs.) / ACF-30S: 266 kg (587 lbs.) SPF-30S: 760 kg (1,676 lbs.) / HTS-30S: 1,000 kg (2,205 lbs.)	

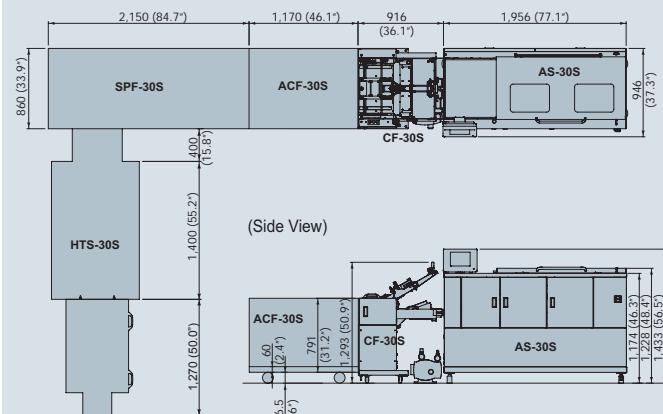
\*The machine design and specifications are subject to change without any notice.

## Machine Dimensions and Installation Space [Unit : mm (inch)]

Height : 1,433 mm (56.5")



(Top View)



(Side View)



ISO 9001:2000  
ISO 14001:2004

Manufactured by Taiyo Seiki Co., Ltd.

Distributed by



Standard Finishing Systems, 10 Connector Road, Andover, MA 01810 (877) 404-4460 www.standardfinishing.com

HORIZON INTERNATIONAL, INC.

510 Kuze Ooyabu-cho, Minami-ku, Kyoto, 601-8206, Japan Phone : +81-(0)75-934-6700, Fax : +81-(0)75-934-6708, www.horizon.co.jp